

auto electrical parts

Technical Information Sheet

Part No. 0-523-65

24 volt electrical oil temperature gauge, 52mm with illumination, 90° sweep dial, bridge type fitting. Supplied with 1/8" NPTF sender.

Additional Information

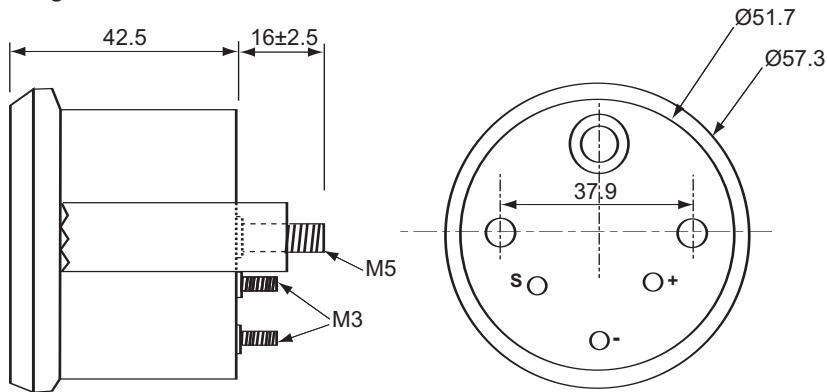
Replacement sender part number 0-523-95

Replacement 24 volt illumination lamp part number 0-523-92

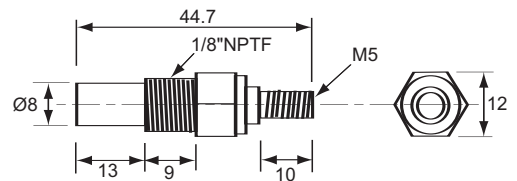


Technical Drawing (not to scale)

Gauge



Sender unit



Specification

Type	Panel mount electrical gauge
Voltage	24 volt DC
Scale	50 to 150°C
Sensor thread	1/8" NPTF
Dimensions	See diagram

The information contained in this document is correct to the best of our knowledge at the time of printing. However, specifications may change at any time without notice.